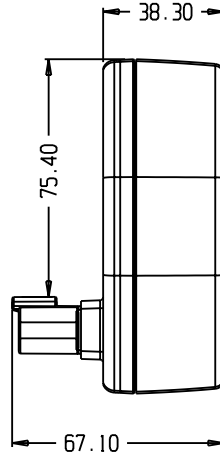
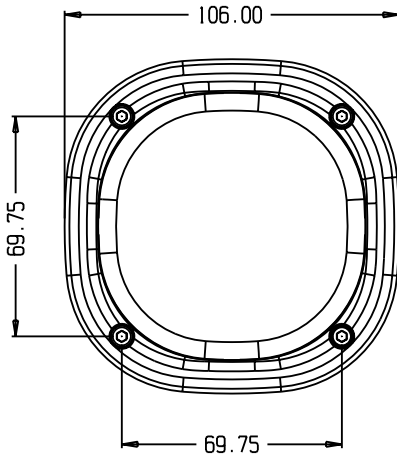


LED

# 1010LED4iF-900



- Light Source** • Light Emitting Diodes (LEDs)
- Input Voltage** • 12V – 48V
- Amp Draw** • 1.4 Amps @ 12V  
• 0.7 Amps @ 24V  
• 0.3 Amps @ 48V
- Life** • 40,000 Hours
- Light Output** • 900 Lumens
- Lens** • Flood  
• Trapezoid  
• High Beam  
• Spot  
• Fog
- Lens Material** • Polycarbonate (standard) or Glass
- Material** • Bezel – PA6  
• Housing – Aluminum
- Connector** • Built-In Deutsch DT04-2P
- Mounting** • Must be surface mounted
- Compliance** • EMC EN55025, Class 5
- IP Rating** • 69K

